

SENTRY 250 Series

Current Operated Switches

The Sentry 250 Series Current Switches monitor up to 250 amps AC and provide an AC/DC switch with either a fixed set point (go/no-go) or an adjustable set point. They offer proven reliability and solid performance in both solid core and split core configurations.



FEATURES

Reliability

Field-proven in hundreds of thousands of installations since 1982. Solid performance even in rooftop environments. Backed by five-year warranty.

Convenience

Compact size, built-in mounting bracket, and universal output mean that installation is simple, fast and secure. You save money and avoid callbacks. The split core version simplifies retrofits.

“Smart” LED

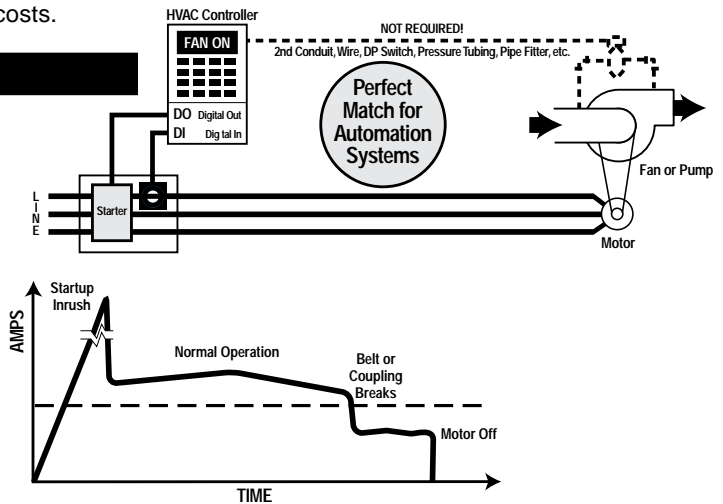
Easily adjust set point and verify operation even before system hookup. (See Ordering Information for availability.)

Self-Powered

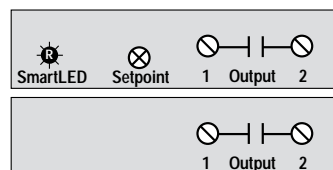
Cuts installation and operating costs.

APPLICATIONS

- Monitor fan and pump status
- Monitor heating elements
- Monitor lighting circuits
- Verify status of facility or equipment power
- Direct control of light loads, such as lamps and relays



CONNECTIONS



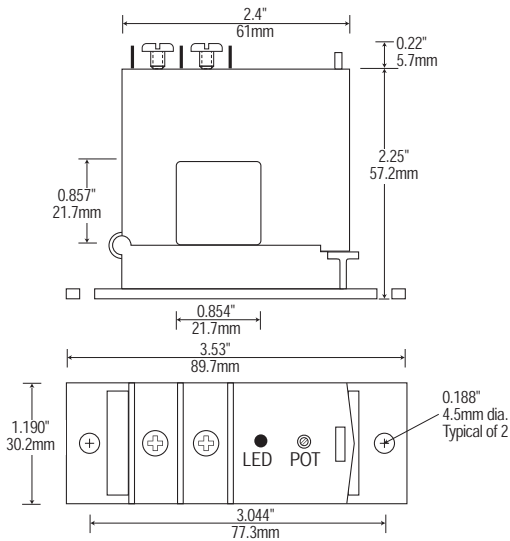
NOTES

- Terminals are #6 screws.
- Solid state AC/DC switch is not polarity sensitive.
- Normally open contact shown. Normally closed is similar.

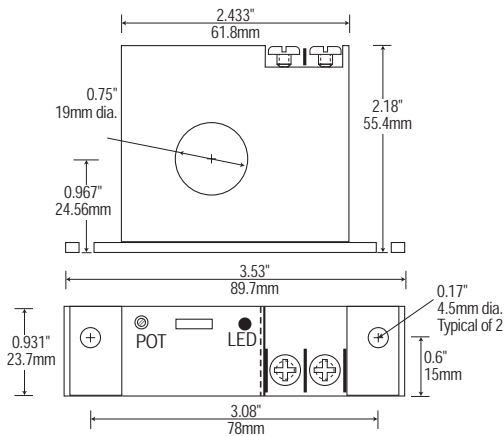
SENTRY 250 Series

Current Operated Switches

Split Core



Solid Core



SPECIFICATIONS

Power Requirement . . .	None, self-powered			
Output	Magnetically Isolated Solid State Switch			
Switch Rating	N.O. versions: 0.3A @ 135 VAC or VDC N.C. version: 0.2A @ 135 VAC or VDC Not polarity sensitive			
Off State Leakage	None			
Response Time	<120 milliseconds			
Set Point Range	See Ordering Information			
Hysteresis	5% of set point			
Max Current		Continuous	6 Sec	1 Sec
	225/SC225	250A	500A	1,000A
	Other models	150A	400A	1,000A
Isolation Voltage	UL Listed to 1,270 VAC, tested to 5kV			
Frequency Range	6Ð100Hz			
Sensing aperture	0.75" (19mm) diameter (solid core) 0.85" (21.5mm) square (split core)			
Case	UL 94V-O Flammability Rated			
Environmental	Ð58 to 149°F (Ð50 to 65°C) 0Ð95% RH, non-condensing			
Approvals	UL, ULC, CE			

OUTPUT TABLE

CONDITION	SMART LED	N.O. SWITCH	N.C. SWITCH
No Current Flowing	Off	Open	Closed
Current Below Set Point	Slow Flash (2 Sec)	Open	Closed
Current Above Set Point	Fast Flash (0.5 Sec)	Closed	Open

Need an interposing relay? See the new PowerBASE Relay PBR Series.

ORDERING INFORMATION

MODEL	SET POINT RANGE	N.O./N.C.	LED	CASE
Sentry 225	Fixed, 1.0 A	N.O.	No	Solid Core
Sentry 245	1.0-150 A	N.O.	No	Solid Core
Sentry 250	1.0-150 A	N.O.	Yes	Solid Core
Sentry SC225	1.5-150A	N.O.	No	Split Core
Sentry SC245	1.75-150A	N.O.	No	Split Core
Sentry SC250	1.75-150A	N.O.	Yes	Split Core
Sentry SC250-NC	1.75-150A	N.C.	Yes	Split Core

Authorized Distributor:
ControlSystemsUsa.com
Houston, TX USA
832-615-3588
sales@ControlSystemsUsa.com