

SENTRY 200-3 & -4 Series

High Current 4-20mA Transducers

The Sentry High Current 200 Series Transducers monitor up to 2000A of AC current and provide a loop-powered 4–20mA signal proportional to the monitored current.



FEATURES

All Frequencies

Exclusive VFI™ (Variable Frequency Integration) technology is accurate both on sine wave and on distorted VFD waveforms.

Large Aperture

Accommodates large conductors or wire bundles.

Multi-Range

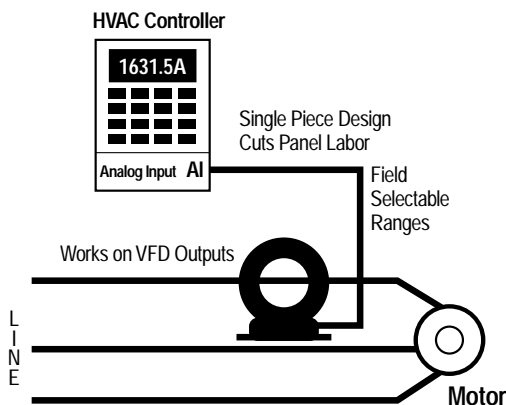
Fast, switch-selectable range setting.
No zero or span field adjustments required.

Easy Installation

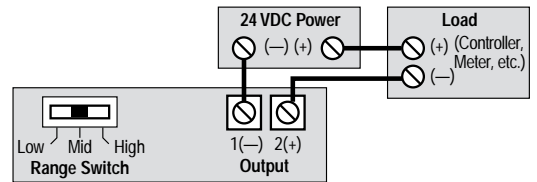
Single piece with integral mounting brackets makes a simple, solid installation.

APPLICATIONS

- **Chillers:** Load measurement for energy savings
- **Large Pumps:** Detect dry run electronically
- **Heating Elements:** Monitoring heater load gives faster response than temperature sensors



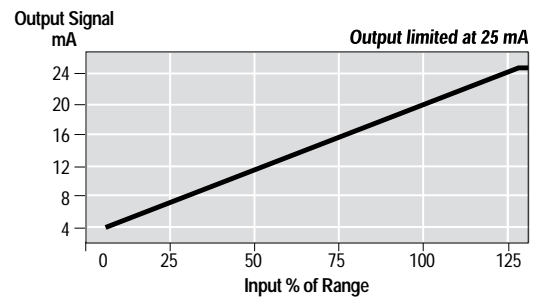
CONNECTIONS



NOTES

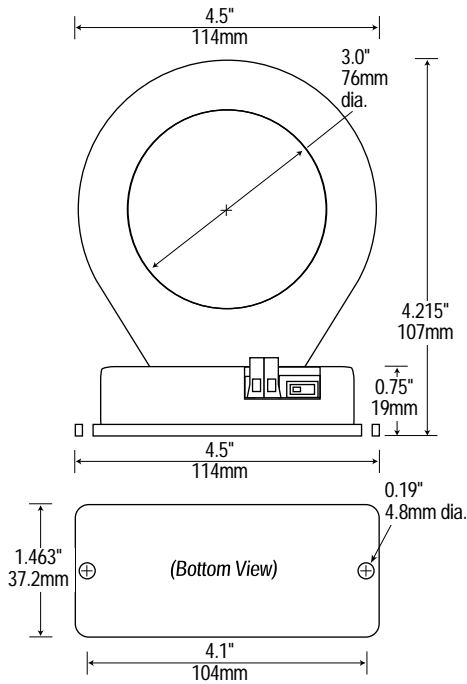
- Deadfront captive screw terminals.
- 12–22 AWG solid or stranded.
- Observe polarity.

SIGNAL DIAGRAM



SENTRY 200-3 & -4 Series

High Current 4-20mA Transducers



SPECIFICATIONS

- Output Signal 4–20mA, loop powered
- Output Limit 25mA
- Accuracy 1.0% FS
- Response Time 500 milliseconds to 90% of step change
- Frequency 50–60Hz, sinusoidal (standard versions)
10–400Hz (VFI versions)
- Supply Voltage 24 VDC nominal; 40 VDC maximum
- Output Load 600 ohms max @ 24 VDC
 $R_{max} = (V_{supply} - 12) / 0.020 A$
- Isolation Voltage . . . 600 VAC
- Polarity Protection . . Diode protected against reversed polarity
- Input Ranges Field selectable from 0 to 2,000A
- Sensing Aperture . . . 3.0" (7.6 cm) ID
- Case UL 94 flammability rated thermoplastic
- Weight 1.3 lb (0.6 kg)
- Environmental –4/122°F (–20/50°C), 0–95%RH, non-condensing
- Approvals UL, ULC, CE (pending)

ORDERING INFORMATION

Example: Sentry 200-4-V
 Current transducer with 4–20mA output
 and 0–1000/1333/2000A range with "VFI"
 (Variable Frequency Integration) technology.

MODEL	RANGE
-------	-------

Standard Models

200-3	0–375, 0–500, 0–750A
200-4	0–1000, 0–1333, 0–2000A

VFI Models

(for monitoring the load side of VFDs)

200-3-V	0–375, 0–500, 0–750A
200-4-V	0–1000, 0–1333, 0–2000A

MAXIMUM AC CURRENT

MODEL	RANGE	MAX. CONTIN.	MAX. 6 SEC.	MAX. 1 SEC.
200-3	0–375/500/750A	750A	1500A	3750A
200-3-V	0–375/500/750A	750A	1500A	3750A
200-4	0–1000/1333/2000A	2000A	4000A	10,000A
200-4-V	0–1000/1333/2000A	2000A	4000A	10,000A

Authorized Distributor:
ControlSystemsUsa.com
 Houston, TX USA
 832-615-3588
 sales@ControlSystemsUsa.com