

D C B A

APPROXIMATE WEIGHT AS SHOWN: 5.4#

4

4

3

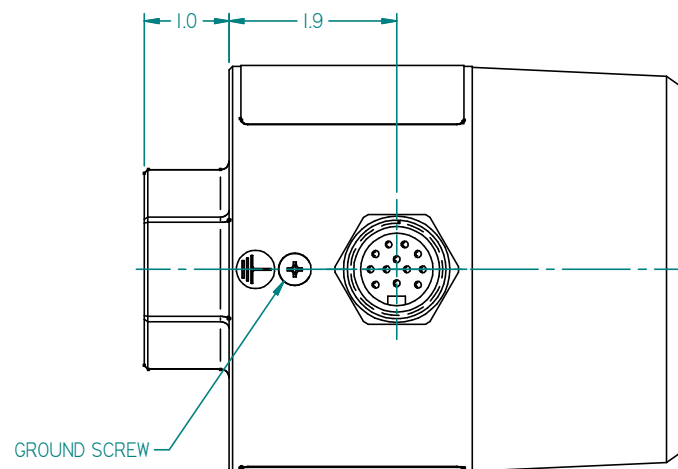
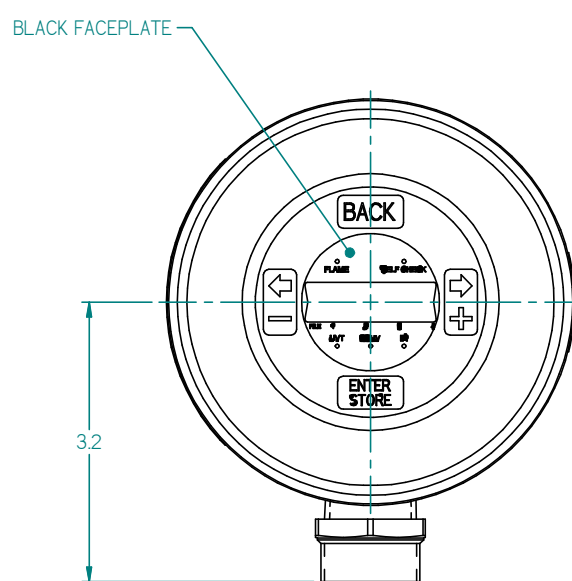
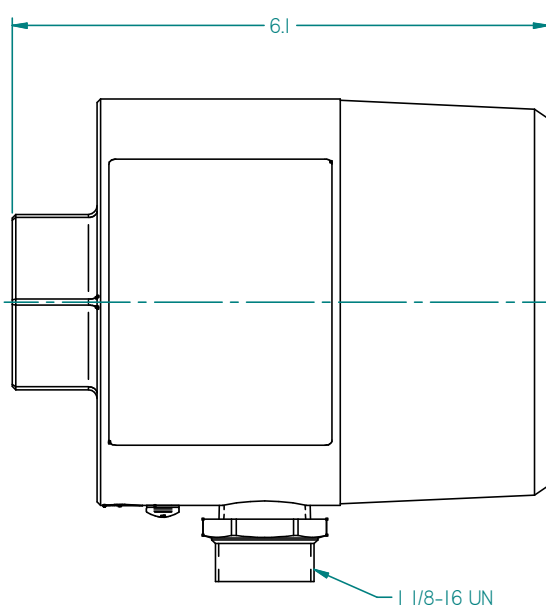
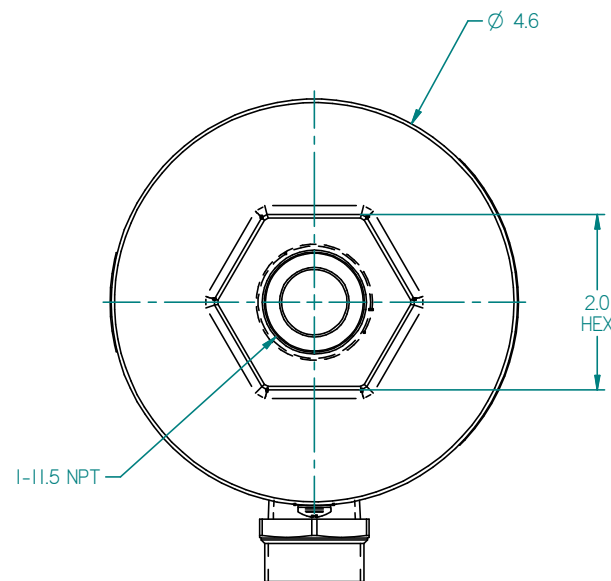
3

2

2

1

1



PROJ	MARK	REVISIONS	BY	DATE

**THREAD SPECIFICATIONS**  
 UNIFIED THDS: CLASS 2 PER ASME B1.1  
 METRIC THDS: CLASS 6 PER ASME B1.13M  
 PIPE THDS: PER ASME B1.20.1 OR  
 ISO 7/1 RP; ISO 7/1R

**TOLERANCES**  
 UNLESS OTHERWISE SPECIFIED,  
 MINIMUM TOLERANCE: ±0.06"  
 XX±: 0.5%  
 X.X±: 2.0%

MATERIAL:  
 MP-0000  
 \*\*\*  
 \*\*\*

THIRD ANGLE PROJECTION

THIS DRAWING AND ALL INFORMATION ON IT IS THE PROPERTY OF MAXON. IT IS CONFIDENTIAL AND HAS BEEN DISCLOSED TO YOU ON CONDITION THAT IT BE RETURNED UPON REQUEST, THAT IT NOT BE COPIED, EXHIBITED OR FURNISHED TO ANY OTHER PERSON, IN WHOLE OR IN PART, AND THAT NO PHOTOGRAPHS BE TAKEN OF ANY PRODUCT FABRICATED OR ASSEMBLED FROM THIS DRAWING, EXCEPT WITH THE PRIOR WRITTEN CONSENT OF MAXON.



DATE: 03/16/2015 15:57      CREATED BY: Bill Berkenbush

DESCRIPTION: U2-1010S EDS

\*\*\*\*\*

SIZE C	REV /00	50122732-001
SHT 1	OF 1	