

# PANEL MOUNT BUZZERS

## P 22 DBZ / P 28 DMC / P 28 DMB



Acoustic signaling device for 22.5 mm and 28.6 mm mounting holes.

- Available with 2 different types of signals in one device (continuous and pulsating tone).
- Guaranteed high protection class to the housing.
- Also available with easily adjustable volume control.



P 22 DBZ



P 28



operating temperature

PRODUCT	P 22 DBZ			
DATA				
Rated voltage	24 V AC/DC	48 V AC/DC	115 V AC/DC	230 V AC
Nominal current consumption	15–30 mA			

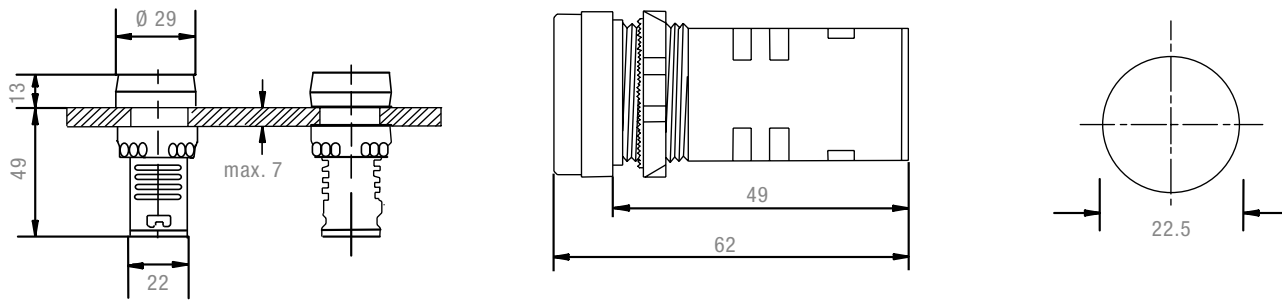
PRODUCT	P 28 DMC948	P 28 DMC201	P 28 DMC301	P 28 DMB530
DATA				
Rated voltage	48 V DC	110 V AC	230 V AC	30 V DC
Operating range	9–48 V	30–120 V	130–230 V	5–30 V
Nominal current consumption	5 mA @ 9 V 20 mA @ 48 V	7 mA @ 30 V 40 mA @ 120 V	20 mA @ 130 V 40 mA @ 220 V	2 mA @ 5 V 20 mA @ 30 V

PRODUCT	P 22 DBZ	P 28 DMC948	P 28 DMC201	P 28 DMC301	P 28 DMB530
DATA					
Operating mode	pulsating tone	continuous tone	continuous tone	continuous tone	continuous tone / pulsating tone
Sound pressure level	80 dB(A) @ 10 cm	91 dB(A) @ 48 V	91 dB(A) @ 120 V	91 dB(A) @ 230 V	91 dB(A) @ 30 V
Sound pressure level @DIN-tone	–	–			
Sound level reduction	–	up to 20 dB			
Duty cycle	>50,000 hrs	>50,000 hrs			
Operating temperature	–25 °C ... +50 °C	–25 °C ... +65 °C			
Storage temperature		–40 °C ... +85 °C			
Relative humidity	90 % @ +20 °C	90 % @ +40 °C			
Protection system according to EN 6052	IP 40	IP 65			
Material housing	polycarbonate (PC)	plastic "NORYL® N-190", UL 49-V0, black			
Mounting	panel-mounting: 22.5 mm	panel-mounting: Ø 28.6 mm			
Type of connection	screw terminals 1.5 mm <sup>2</sup>	quick connect blades, 6.3 mm wide, 0.8 mm thick			
Weight	30 g	40 g			

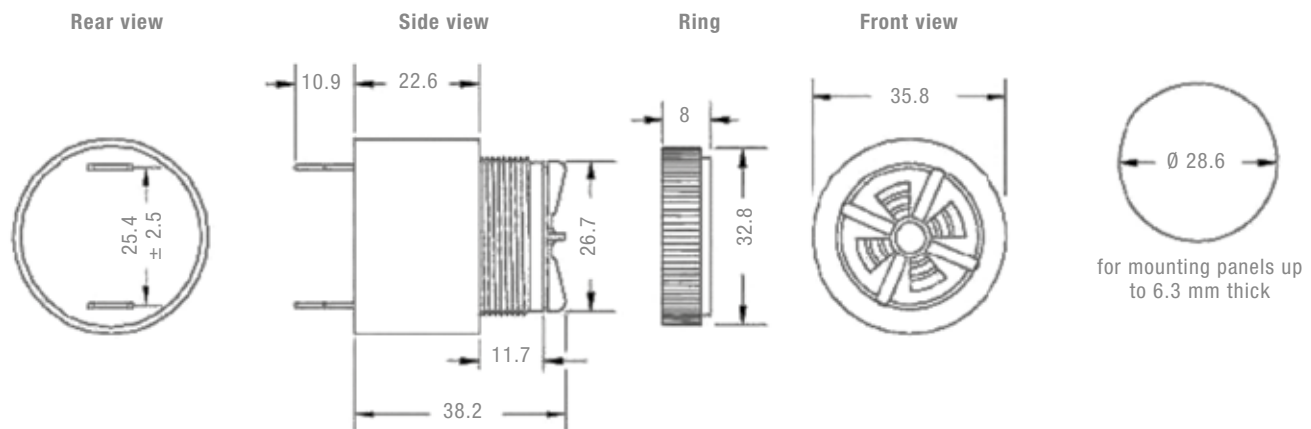
**DIMENSIONS**

**PANEL CUTOUTS**

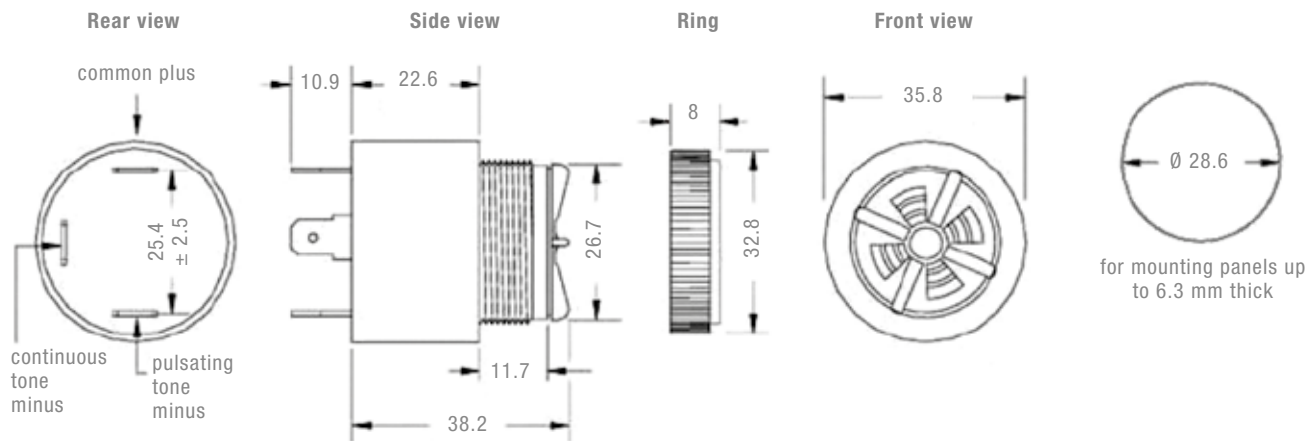
**P 22 DBZ**



**P 28 DMC948 / P 28 DMC201 / P 28 DMC301**



**P 28 DMB530**



ARTICLE NO.	P 22 DBZ			
RATED VOLTAGE	24 V AC/DC	48 V AC/DC	115 V AC/DC	230 V AC
	23270800000	23270700000	23270150000	23270100000
ARTICLE NO.	P 28 DMC948	P 28 DMC201	P 28 DMC301	P 28 DMB530
RATED VOLTAGE	48 V DC	110 V AC	230 V AC	30 V DC
	23260700000	23260160000	23260110000	23265800000

**OPTIONS/ACCESSORIES**

**Label holder**  
25 x 10 mm  
for P 22 DBZ  
only  
Article no.  
23292000000

**Label holder**  
25 x 18 mm  
for P 22 DBZ  
only  
Article no.  
23291000000