

SENTRY HD100 Series

Current Operated High Power AC Switch

Sentry HD100 Current Switches will directly control an AC power load up to 15A at 120VAC or 10A at 240VAC. The switch trips when the sensed AC current exceeds the adjustable set point. It is self-powered and available with either a normally open or a normally closed switch.



FEATURES

Switches 15A

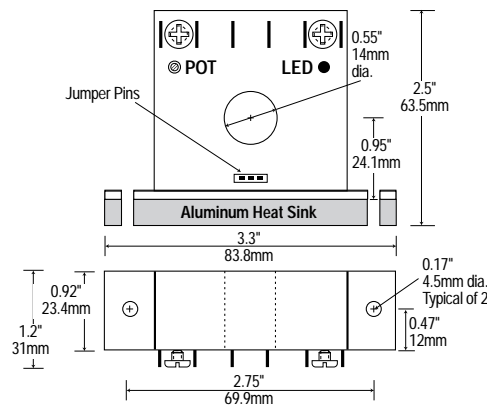
Directly control AC loads.

One-piece Interlock Solution

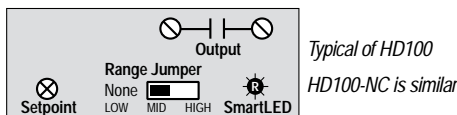
Greatly simplify control logic.

Reliability

Field-proven. Five-year warranty.



CONNECTIONS



NOTES



- Terminals are #6 screws.
- Solid State AC Switch is not polarity sensitive.
- Normally open contacts shown. Normally closed is similar.

ORDERING INFORMATION

MODEL	SET POINT RANGE	N.O./ N.C.	LED	CASE
HD100	1-6, 6-40, 40-175A	N.O.	Yes	Solid Core
HD100-NC	1-6, 6-40, 40-175A	N.C.	No	Solid Core

Authorized Distributor:
ControlSystemsUsa.com
Houston, TX USA
832-615-3588
sales@ControlSystemsUsa.com

SPECIFICATIONS

Power Requirement	None, self-powered
Output	Isolated Solid State Relay
Switch Rating	15A at 120VAC, 10A at 240VAC (mounted to 1 sq. ft. sheet metal) No polarity
Off State Leakage	0.0 mA (HD100) 2.3 mA (HD100-NC)
Response Time	10 to 230 milliseconds
Set Point Range	1-6, 6-40, 40-175A, jumper selectable
Hysteresis	0.01A, 0.1A, 0.5A (at low, mid, high ranges)
Isolation Voltage	UL Listed to 1,270 VAC Tested to 5,000 VAC
Frequency Range	6-100Hz
Sensing Aperture	0.55" (19mm) diameter
Case	UL 94V-O Flammability Rated
Environmental	-58 to 149°F (-50 to 65°C) 0-95% RH, non-condensing
Approvals	UL, ULC, CE  

MAXIMUM AC CURRENT

RANGE	JUMPER	MAX. CONT.	MAX. SEC.	MAX. 1 SEC.
1-6A	None	200A	400A	600A
6-40A	Mid	150A	500A	800A
40-175A	High	210A	800A	1200A

OUTPUT TABLE

CONDITION	LED (HD100 only)	HD100 SWITCH	HD100-NC SWITCH
No Current Flowing	Off	Open	Closed
Current Below Set Point	Slow Flash (2 Sec)	Open	Closed
Current Above Set Point	Fast Flash (0.5 Sec)	Closed	Open