

# SENTRY 100/200 Series

## AC Current Transducers with 0-5/10VDC or 4-20mA Output

The Sentry 100/200 Series AC Current Transducers provide a voltage or current signal proportional to monitored current up to 200A. Available in both solid core and split core configurations.



**Variable  
Frequency  
Integration  
for VFDs**

### FEATURES

#### New VFI Technology for VFDs

New Variable Frequency Integration technology uses high speed sampling to provide accurate measurements of current on the load side of VFDs.

#### Reliability

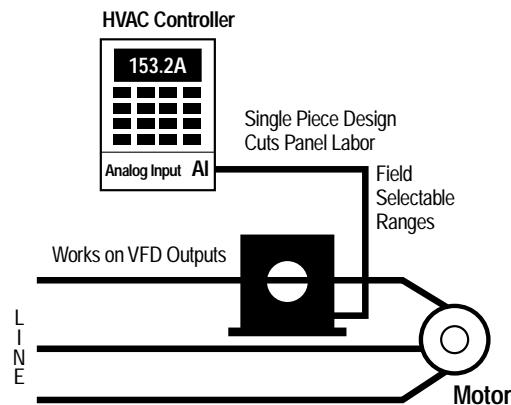
Field-proven in hundreds of thousands of installations since 1982. Solid performance even in rooftop environments. Backed by five-year warranty.

#### Convenience

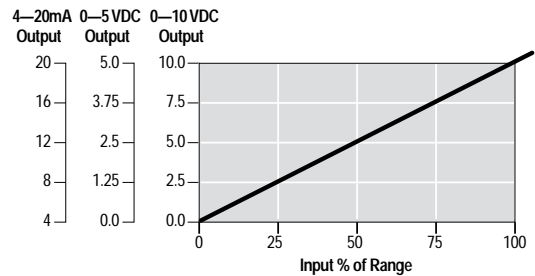
Compact size, integral mounting flange, and two-wire hookup assure an installation that is simple, fast, and secure. You save money and avoid callbacks. The split core version simplifies retrofits.

### APPLICATIONS

- **Automation Systems:** Analog current reading for remote monitoring and software alarms
- **Fan/Pump Status:** Electronic proof of flow
- **Sense High Current:** Accurately read the secondary current from high ratio CTs



### SIGNAL DIAGRAM

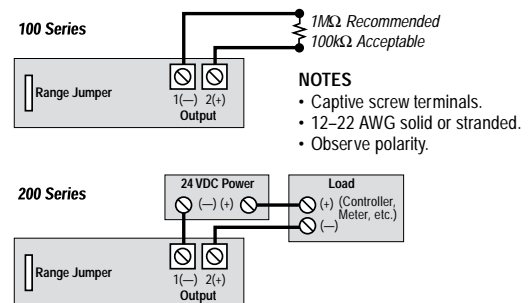


### INPUT MAXIMUMS

RANGE	MAXIMUM CONTINUOUS	MAX. 6 SEC.	MAX. 1 SEC
0-2A	40A	60A	100A
0-5A	100A	124A	250A
0-10A	80A	125A	250A
0-20A	110A	150A	300A
0-50A	175A	215A	400A
0-100A	200A	300A	600A
0-150A	300A	450A	800A
0-200A	400A	500A	1,000A

See Ordering Information for models with listed ranges.

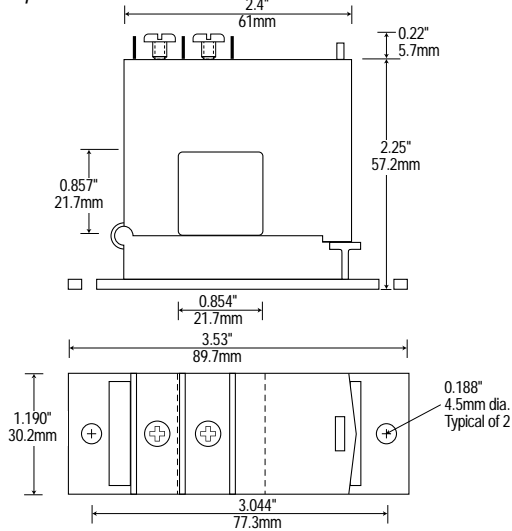
### CONNECTIONS



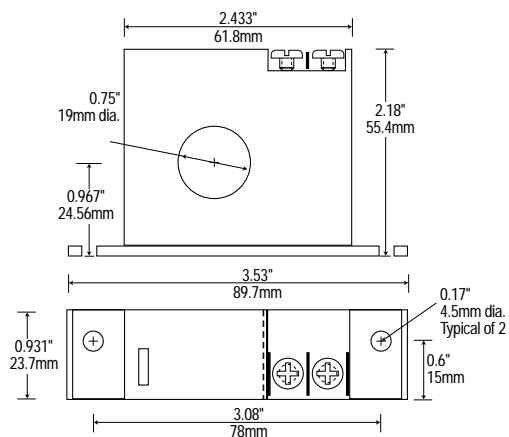
# SENTRY 100/200 SERIES

AC Current Transducers with 0-5/10VDC or 4-20mA Output



## Split Core



## Solid Core



## SPECIFICATIONS

Output Signal . . . . .	0–5VDC, 0–10VDC, 4–20mA (see Ordering Info)
Accuracy . . . . .	0–5/10VDC: 1% FS over 5–100% of range 4–20mA: 0.5% FS
Response Time, 0-90% . . . . .	0–5/10VDC: 100 mS 4–20mA: 300 mS
Frequency Range . . . . .	0–5/10VDC: 50–60Hz 4–20mA w/o VFI: 20–100Hz 4–20mA w/ VFI: 10–400Hz
Power Supply . . . . .	0–5/10VDC: Self-powered 4–20mA: 12–40VDC, Loop-powered
Output Load, 0–5/10VDC . . . . .	1 Megohm required for rated accuracy 100K Ohm Load, add 1.3% error
Output Load, 4–20mA . . . . .	950 ohms max @ 24 VDC $R_{max} = (V_{supply} - 5) / 0.020A$
Output Signal Limit . . . . .	2x rated output
Isolation Voltage . . . . .	UL listed to 1270 VAC, tested to 5kV
Input Ranges . . . . .	Field Selectable Ranges from 0–200A (see Ordering Info)
Sensing Aperture . . . . .	Solid core: 0.75" dia. Split core: 0.85" sq.
Case . . . . .	UL 94V-0 Flammability rated thermoplastic
Environmental . . . . .	0–5/10VDC: –58/149° (–50/65°C) 4–20mA: –4/122°F (–20/50°C) For all: 0–95% RH, non-condensing
Approvals . . . . .	UL, ULC, CE  

*Need an interposing relay? See the new PowerBASE Relay PBR Series.*

## ORDERING INFORMATION

### 4–20mA Output Models

(Specify VFI when measuring VFD loads)

MODEL	RANGE	VFI	CASE
200-05	0–2, 0–5A	No	Solid Core
200-1	0–10, 0–20, 0–50A	No	Solid Core
200-2	0–100, 0–150, 0–200A	No	Solid Core
SC200-05	0–2, 0–5A	No	Split Core
SC200-1	0–10, 0–20, 0–50A	No	Split Core
SC200-2	0–100, 0–150, 0–200A	No	Split Core
200-05-V	0–2, 0–5A	Yes	Solid Core
200-1-V	0–10, 0–20, 0–50A	Yes	Solid Core
200-2-V	0–100, 0–150, 0–200A	Yes	Solid Core
SC200-05-V	0–2, 0–5A	Yes	Split Core
SC200-1-V	0–10, 0–20, 0–50A	Yes	Split Core
SC200-2-V	0–100, 0–150, 0–200A	Yes	Split Core

### VDC Output Models

MODEL	RANGE	OUTPUT	CASE
100-1L	0–10, 0–20, 0–50A	0–5VDC	Solid Core
100-2L	0–100, 0–150, 0–200A	0–5VDC	Solid Core
100-3L	0–10, 0–20, 0–50A	0–10VDC	Solid Core
100-4L	0–100, 0–150, 0–200A	0–10VDC	Solid Core
SC100-1L	0–10, 0–20, 0–50A	0–5VDC	Split Core
SC100-2L	0–100, 0–150, 0–200A	0–5VDC	Split Core
SC100-3L	0–10, 0–20, 0–50A	0–10VDC	Split Core
SC100-4L	0–100, 0–150, 0–200A	0–10VDC	Split Core

Authorized Distributor:  
ControlSystemsUsa.com  
Houston, TX USA  
832-615-3588  
sales@ControlSystemsUsa.com