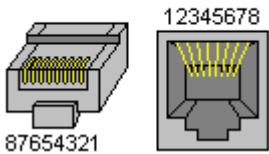


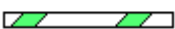







| RJ45 Pin # | Wire Color   | Wire Diagram  | Signal*   | <u><b>Straight Cable</b></u><br><br>Where is pin #1?<br> |
|------------|--------------|---|-----------|---|
| 1          | White/Orange |  | Transmit+ |   |
| 2          | Orange       |  | Transmit- |   |
| 3          | White/Green  |  | Receive+  |   |
| 4          | Blue         |  | Unused    |   |
| 5          | White/Blue   |  | Unused    |   |
| 6          | Green        |  | Receive-  |   |
| 7          | White/Brown  |  | Unused    |   |
| 8          | Brown        |  | Unused    |   |

| RJ45 Pin # (END 1) | Wire Color   | Diagram End #1  | RJ45 Pin # (END 2) | Wire Color   | Diagram End #2  |
|--------------------|--------------|---|--------------------|--------------|---|
| 1                  | White/Orange |  | 1                  | White/Green  |  |
| 2                  | Orange       |  | 2                  | Green        |  |
| 3                  | White/Green  |  | 3                  | White/Orange |  |
| 4                  | Blue         |  | 4                  | Blue         |  |
| 5                  | White/Blue   |  | 5                  | White/Blue   |  |
| 6                  | Green        |  | 6                  | Orange       |  |
| 7                  | White/Brown  |  | 7                  | White/Brown  |  |
| 8                  | Brown        |  | 8                  | Brown        |  |