



CustomControlSensors

Non-Hazardous Areas Adjustable Temperature Switch

6900T* - Probe



DESCRIPTION

- Highly reliable devices utilizing the CCS Dual-Snap® Belleville disc spring principle pioneered by CCS' engineers.
- Engineering based on aerospace technology.
- Rigid, compact and internally adjustable for convenient field set point adjustment.
- Repeatable and stable set points.
- Vibration and shock resistant.
- High cycle life.
- High over-temperature capability. (System and Proof)
- Various options for electrical ratings to meet a wide range of application requirements.

SHIPPING WEIGHT: APPROXIMATELY 32 OUNCES (907 GRAMS)

SERIES:

6900T*

ADJUSTABLE SET POINT RANGE: TEMPERATURE:

0° to 405°F
-18° to 207°C

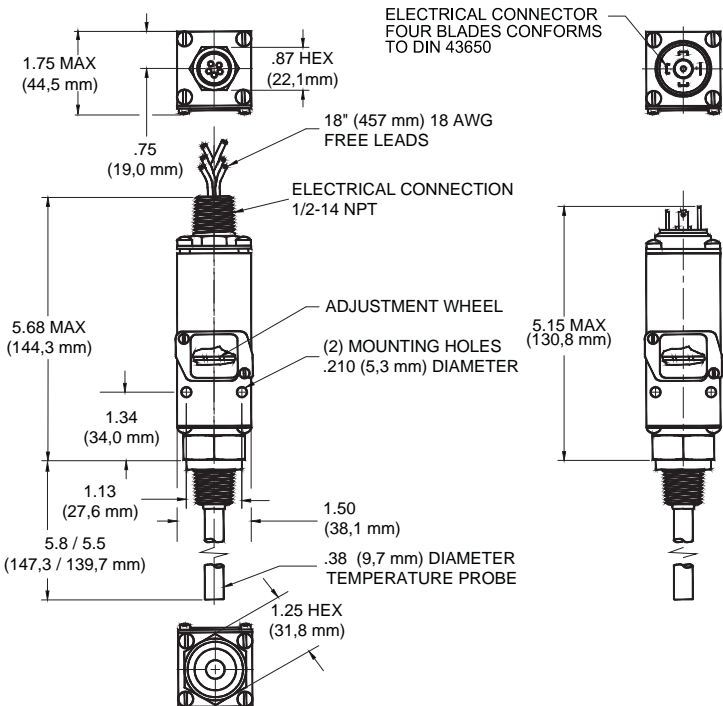
OPERATING TEMPERATURE:

-40° to 186°F
-40° to 86°C

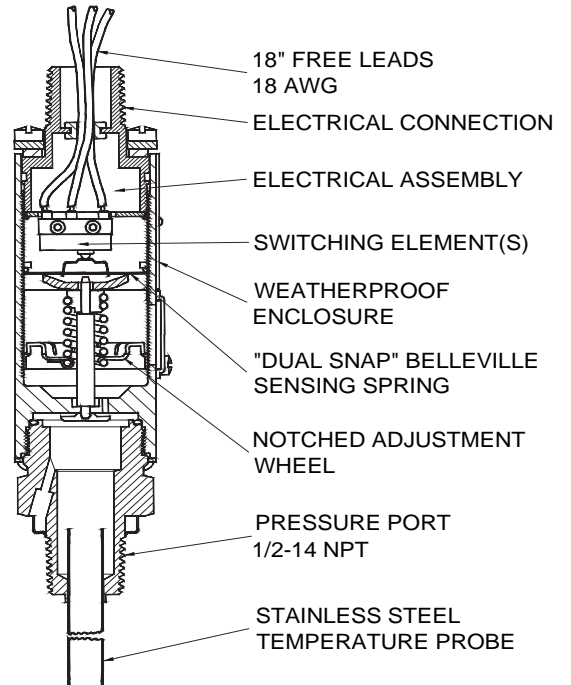
STANDARD FEATURES:

- CE Mark
- CCC
- CSA Listed
- NACE MR0175 / ISO 15156
- NEMA: 4, 13 / IP66
- Weatherproof

INSTALLATION DRAWING



DESIGN PRINCIPLES



SERIES 6900T

FIELD SETTING: Loosen access cover. Adjust adjustment screw using screwdriver slot as illustrated, then attach to a variable pressure source with a suitable gage, and check that the circuit continuity operates at the pressures desired. Clockwise to increase settings. Counterclockwise to decrease setting.

NOTE: DO NOT USE ELECTRICAL HEX FOR TORQUING.

DUAL-SNAP®

AUTHORIZED DISTRIBUTOR - ProcessControlOnline.com - Houston, Texas USA
sales@ProcessControlOnline.com - 832-615-3588





CustomControlSensors

Non-Hazardous Areas Adjustable Temperature Switch

6900T* - Probe

OPERATING AND ORDERING DATA

SERIES 6900T*	WETTED PARTS: 300 STAINLESS STEEL TEMPERATURE PROBE				
	ADJUSTABLE SET POINT RANGE		APPROXIMATE DEAD BAND		MAXIMUM PROBE TEMPERATURE DEGREES F (DEGREES C)
	INCREASING TEMPERATURE DEGREES F (DEGREES C)	DECREASING TEMPERATURE DEGREES F (DEGREES C)	AT BOTTOM OF RANGE DEGREES F (DEGREES C)	AT TOP OF RANGE DEGREES F (DEGREES C)	
6900T*12	+20° to +120° (-7° to +49°)	+0° to +113° (-18° to +45°)	20° (11°)	5° (4°)	+200° (+93°)
6900T*14	+80° to +205° (+27° to +96°)	+60° to +198° (+16° to +92°)	20° (11°)	5° (4°)	+300° (+149°)
6900T*16	+185° to +315° (+85° to +157°)	+165° to +308° (+74° to +153°)	20° (11°)	5° (4°)	+400° (+204°)
6900T*18	+280° to +405° (+138° to +207°)	+260° to +398° (+127° to +203°)	20° (11°)	5° (4°)	+500° (+260°)

EXTERNAL PROBE PRESSURE:
System Pressure: 1250 PSIG (86 bar) Proof Pressure: 1500 PSIG (103 bar)

HOW TO ORDER

Follow these steps to build your part number:

1. Specify the series based on your required set point, range, dead band, system pressure and proof pressure.
2. Add desired options model code letter.
3. Add the applicable standard suffix number.

(Ex: 6900T18-7008)

TEMPERATURE CONVERSION

32 Deg F = 0 Deg C

OPTIONAL STANDARD MODIFIED SUFFIXES

- 7008:** Gold Contacts
- 7042:** Stainless Steel Body
- 7075:** Electrical Connector with 4 Blades Conforms to DIN-43650 (SPDT only)
- 7090:** 2 Meter Free Leads
- 7092:** 18 inch Teflon Free Leads (Low Temp Wire)

THERMOWELLS

Order as separate line items. See accessory page for detailed information.

- 113-34-2:** 1" NPT 316 SST 7.5" "U" Dim.
- 113-35-2:** 3/4" NPT 316 SST 7.5" "U" Dim.

CERTIFICATIONS

Consult CCS website for complete certification and approval listing.

ELECTRICAL ENCLOSURE CERTIFICATIONS

CSA listed by Canadian Standard Association (CSA) Testing Laboratories (File No. LR22665) for enclosure (4) non-hazardous locations.

OPTIONS MODEL CODES

M: DPDT Electrical

ACCESSORIES - SOLD SEPARATELY

- 69-102:** Mating DIN-43650 Connector
- 57-159:** Sealing DIN-46650 Gasket

Note: Additional modified standard suffixes are available, consult CCS sales department or CCS Representative.

ELECTRICAL CHARACTERISTICS SCHEMATIC AND WIRING CODE

RATING OF SWITCH ELEMENT

VOLTS	AMPERES	
	SPDT Res.	DPDT "M" Res.
125 AC - 50/60 Hz	11	11
250 AC - 50/60 Hz	11	11
30 DC	5	5
125 DC	.5	.5
*125 AC - 50/60 Hz	1 max	1 max
*30 DC	1 max	1 max

*Gold Contacts -7008 Suffix

